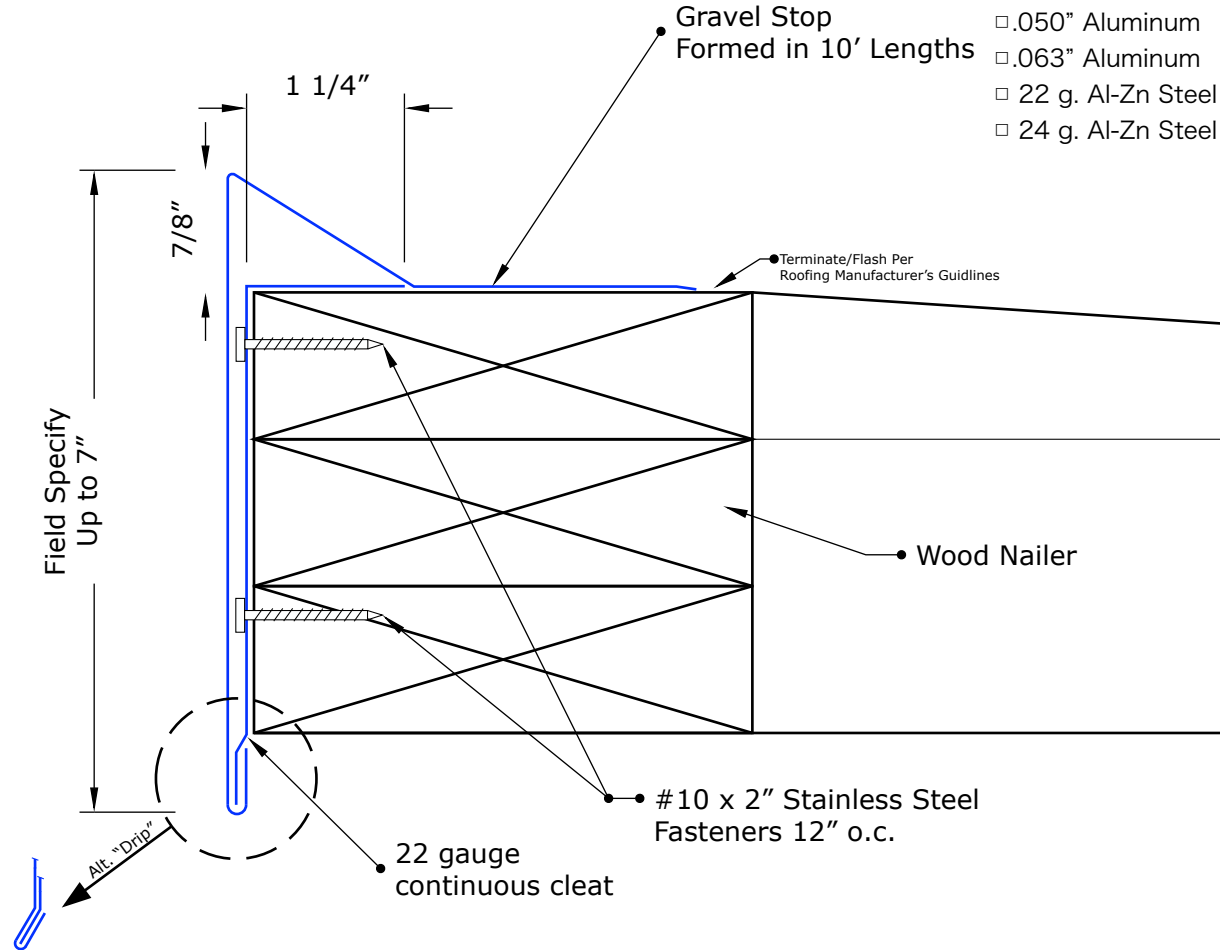


- .032" Aluminum
- .040" Aluminum (ES-1)
- .050" Aluminum
- .063" Aluminum
- 22 g. Al-Zn Steel
- 24 g. Al-Zn Steel (ES-1)

Project Specific Notes:



FormTight
 Architectural Metal Systems

info@formtightmetals.com
 FormTight of Ohio, Inc.

Project:

Contractor:

Approved By:

Date:

Scale:

NTS

Product Name:

FormStop-1P

FTAM Code:

FS1P

Description:

1 piece - brake formed gravel stop in either aluminum or Galvalume™ based sheet metal with factory applied paint finish. Engineered to ES-1 Certification wind resistance and suitable for all single-ply commercial roof edge applications subject to manufacturer's installation guidelines.